

## USB Restrictor IC – UT-USB-RES-IC

The UT-USB-RES IC implements a complete USB high-speed/full-speed restriction function that can be included in any position in a USB system. It enables specific devices or functions to be restricted while permitting all other USB devices to operate normally. Most notably, the core is completely transparent to the installed USB drivers and requires no additional drivers to be loaded.

Deployment options include PC motherboard, expansion card, USB Hub or discreet dongle systems. A variety of configuration and control interfaces are also available.

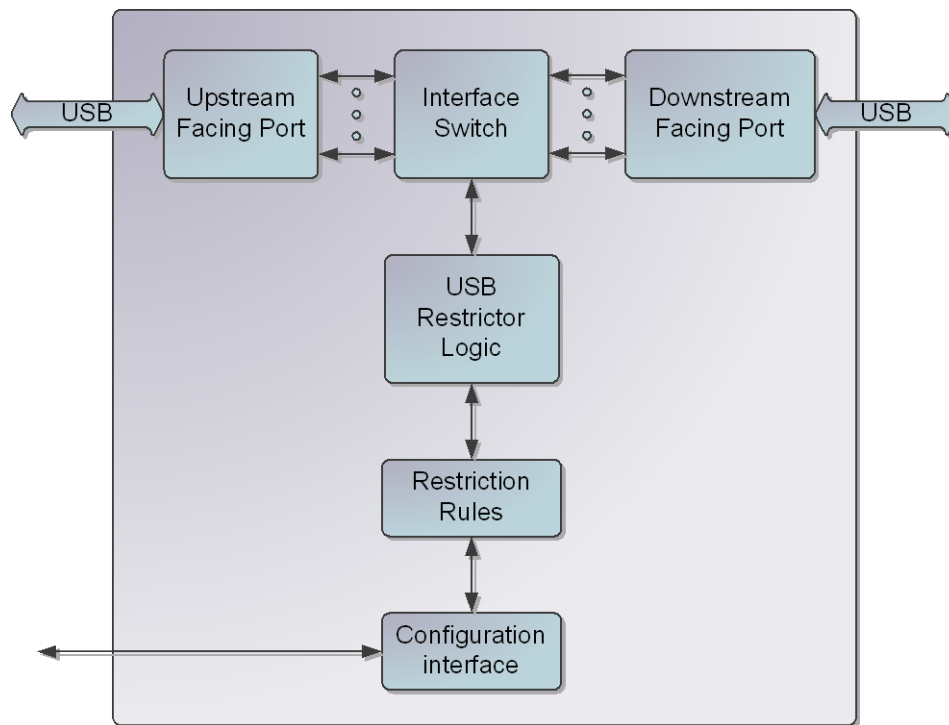
The IP core is designed for easy design and implementation. With a minimum of external components, the IC can be readily integrated into a wide range of products.

## Applications

The UT-USB-RES IC can be useful in a variety of applications:

- Secure laptop design for military/government use
- Secure server farms for financial applications
- Secure smartphones/tablets for medical/business applications

## Block Diagram





## **Protecting What Matters**

### **Features**

Restrict USB operation based on:

- USB Device Class (e.g. Mass Storage Interface Class)
- Vendor ID
- Product ID
- Serial Number
- USB Transfer Type (e.g. Isochronous Transfers)
- Direction (e.g. OUT Transactions)

Configure restriction rules through a variety of interfaces:

- IC Pins
- Serial Interface (e.g. SPI, I<sup>2</sup>C)
- Parallel Interface (e.g. processor bus)
- API/UART/BIOS/UEFI

USB Operating Modes:

- High-speed (480 Mbps)
- Full-speed (12 Mbps)
- Low-speed (1.5 Mbps)

### **Customization**

The following customization options are available on request:

- USB Interface
- Configuration Interface

### **Deliverables**

To be arranged with customer.

### **Contact**

Una Tech Corp.  
#1805 - 1238 Seymour St.  
Vancouver, BC, Canada, V6B 3N9  
Phone: 1.604.715.4184  
E-Mail: [info@unatech.com](mailto:info@unatech.com)